

Trac Tool Design Limited



Interactive pdf

**Welcome to
Trac Tool Design Limited**

Click centre of page to advance

To close key 'quit' or 'esc' at any time

Engineering Excellence

design and manufacture of all types of aerospace tooling and equipment

The use of Trac Group UK skills in Design, Manufacture, and Project Management, combined with our facilities in the Czech Republic and Poland, have enabled us to develop and offer a complete tooling solution worldwide.

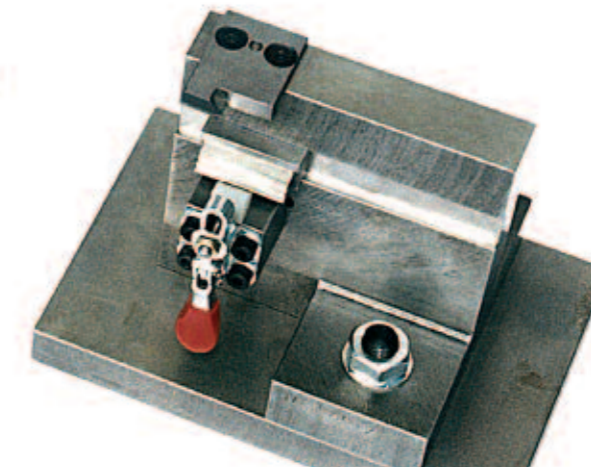
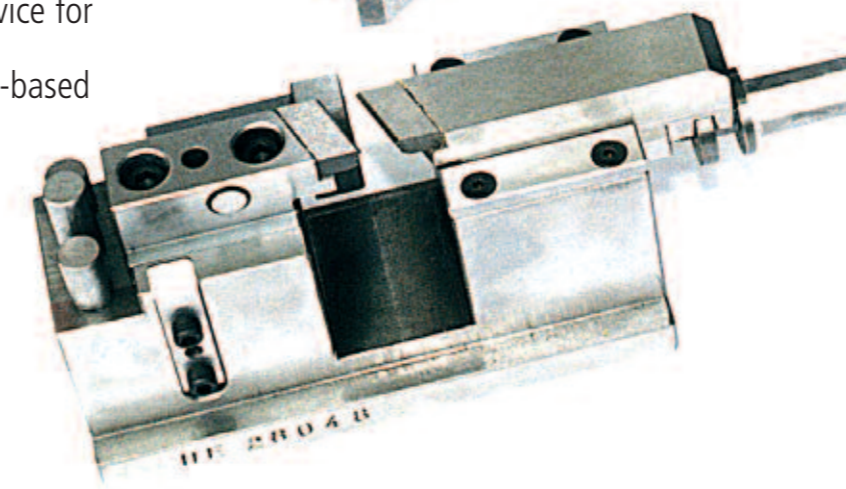
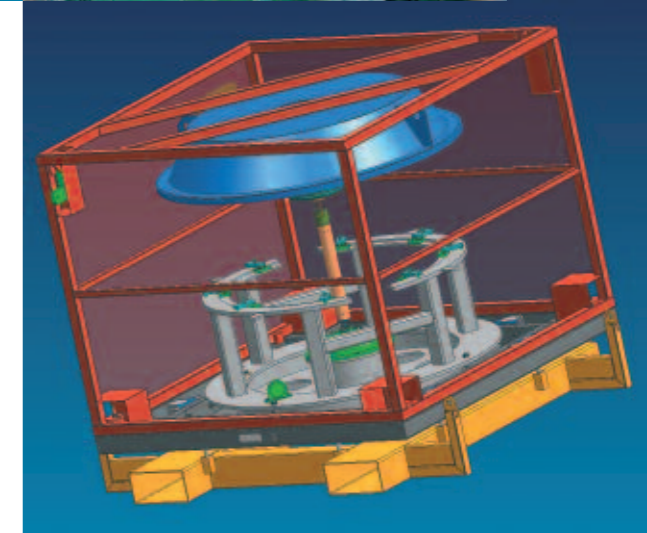
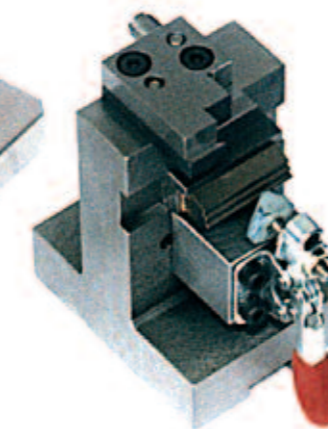
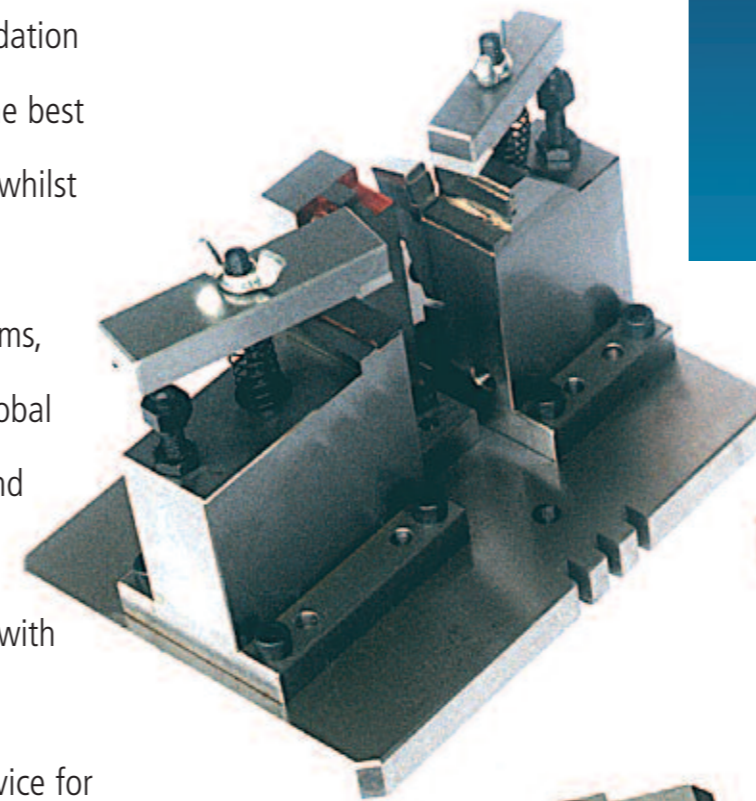
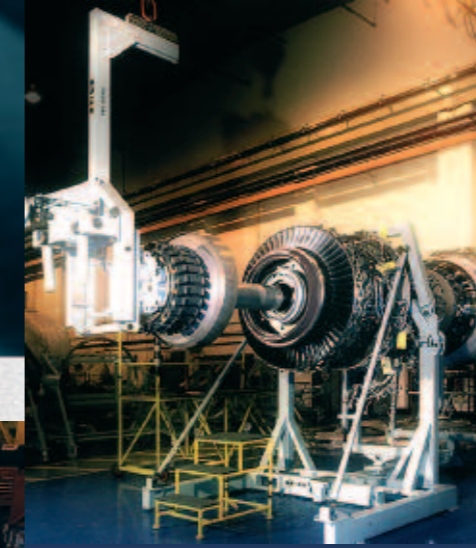
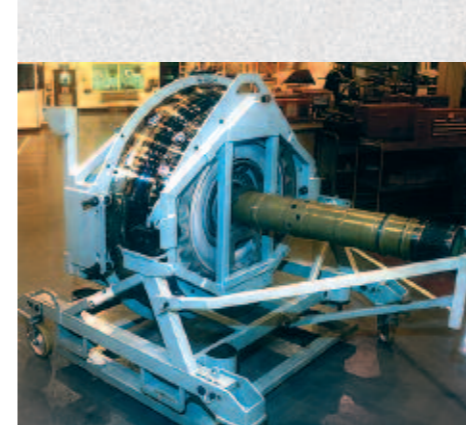
With extensive design facilities in Wolverhampton and across the Group, we offer a comprehensive service using the very latest computer-aided design technology and a highly skilled, dedicated and experienced work force.

Continuous investment in computer-aided design, both in the UK and Poland, have resulted in a commanding foundation enabling us to work with our customers to achieve the best solution without compromise on quality and delivery whilst maintaining, and in most cases reducing budgets.

The use of CAD, together with the very latest IT systems, makes possible fast customer communication on a global basis allowing us to meet ever-reducing timescales and demands of the aerospace industry.

The Group operates a variety of 2D and 3D software with data transfer in any of today's proprietary formats.

We can offer a design only or a complete turnkey service for a wide range of requirements in support of both land-based and aero turbines.



The Trac Group

Our commitment to quality is absolute and is a feature of the goods and services we provide. Operating a comprehensive quality management system throughout the group all sites are ISO 9000 accredited and adopt best practice in all disciplines. Our strategic policy of continuous improvement enables us to deliver value for money solutions to the most complex industrial applications.



ISO9001:2000
Cert No. FM 00968



Calibration
Laboratory
No. 773

AS9100
Cert No. FM 10757

NADCAP AS7116
Cert No. 112598



Trac Tool Design Limited

Pelham Street
Wolverhampton
West Midlands WV3 0BJ
United Kingdom

Tel: 44 (0) 1902 428212
Fax: 44 (0) 1902 428213
email: sales@trac-tool.co.uk
www: www.trac-group.com

Click centre of page to return to page 01

Link to
www.trac-group.com

To close key 'quit' or 'esc' at any time